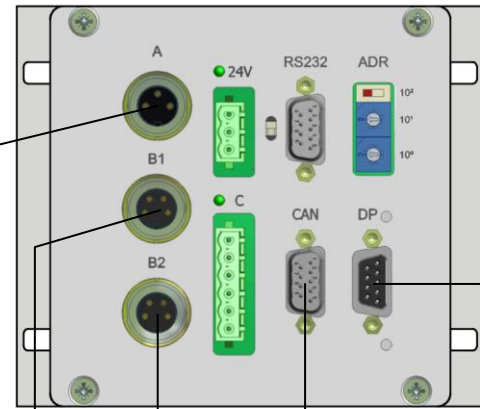


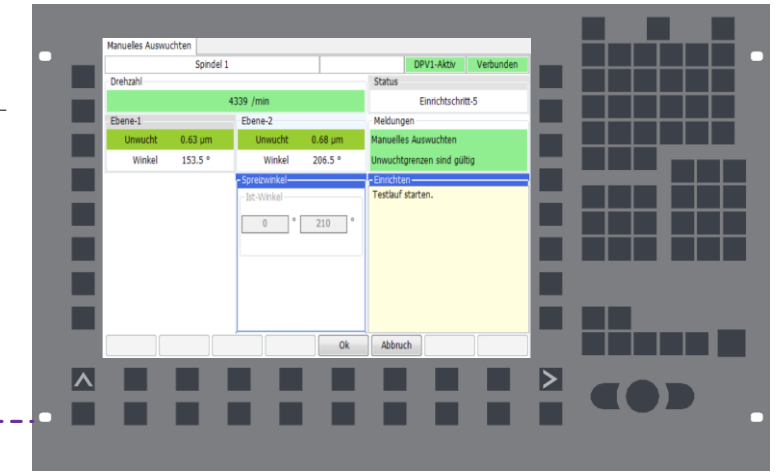
40 Balancing electronics
3.UM340SM4.E/A.DPV1
1038593A



Profibus

SPS

Machine control



Data cable
9-way, 10m
3.DKC.B09.10
1016402A

30

20

CAN-USB-adapter
Incl. server software BALCON 350
3.CAN.USB.350
1016332A

10

ALTERNATE:
19" operating module
3.BM340P01.24
1057425A



50

Cable
4-way, 10m
3.410BS.1
1015082A

60

Vibration sensor
4-way, 3m
3.PU.M5.4.3.V2.1
1013626A

optional,
for rpm <1000 1/min

70

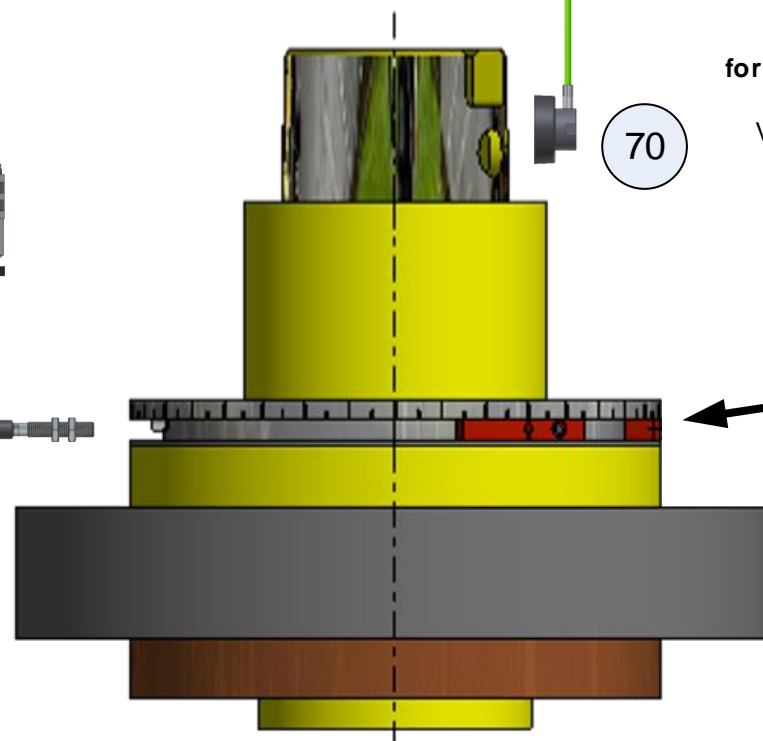
Vibration sensor
4-way, 3m
3.PU.TS02.03
1012192A

80

Cable
3-way, 10m
3.310BS.1
1014974A

Speed sensor
3-way, 5m
3.DS.03.3
1016494A

90



110

Balancing ring
Type 3.WRS.XXX

